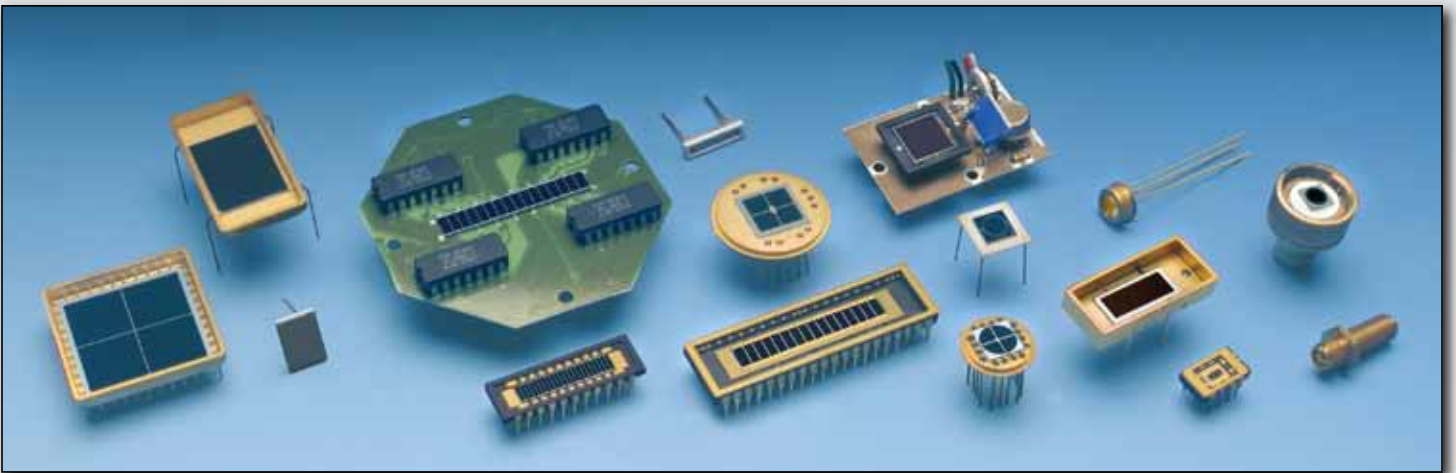
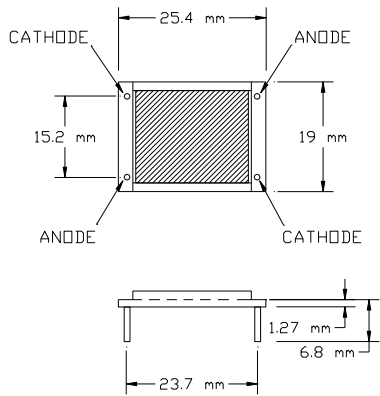


# Opto Diode IRD UV Photodiode Package Drawings

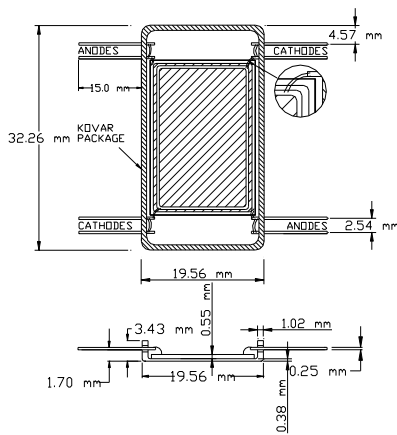


**OPTO DIODE CORP.**  
Advancing UV/EUV Measurement Science

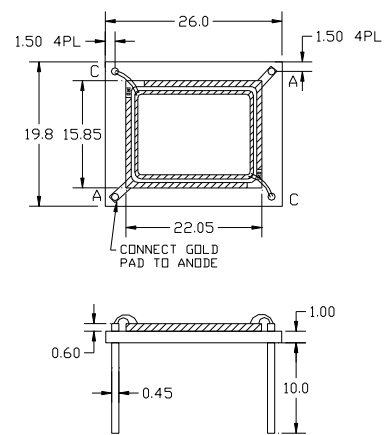




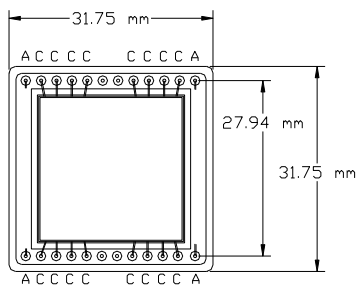
P300



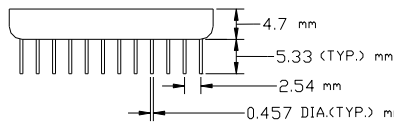
M300



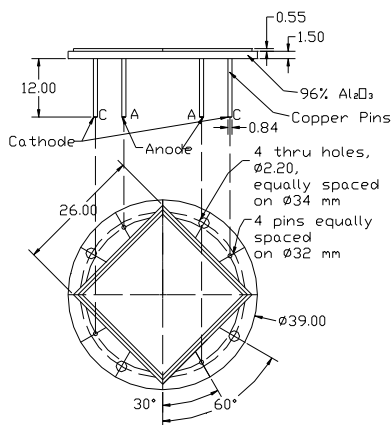
C300



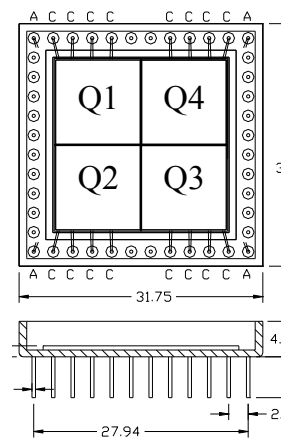
A - ANODES  
C - CATHODES



M576

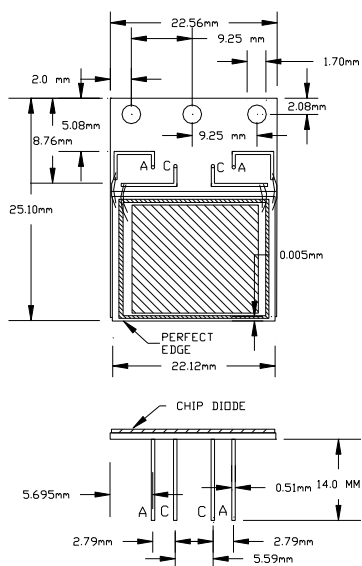


C576

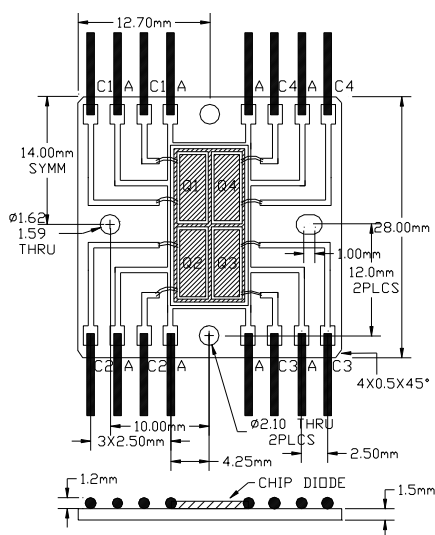


C - Cathode  
A - Anode

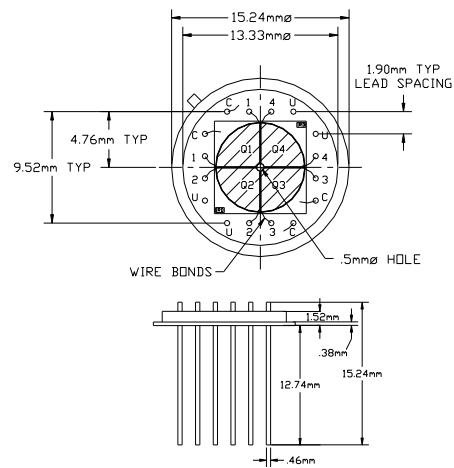
M600



PSV

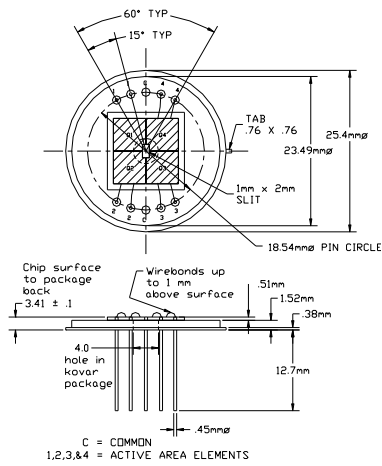


PS5

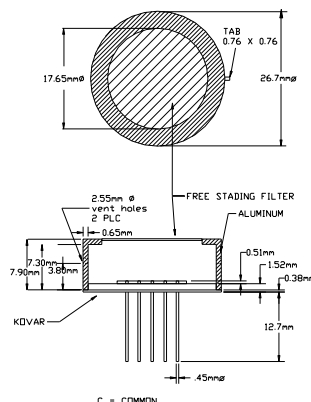


U = UNCONNECTED OPEN  
C = COMMON PINS

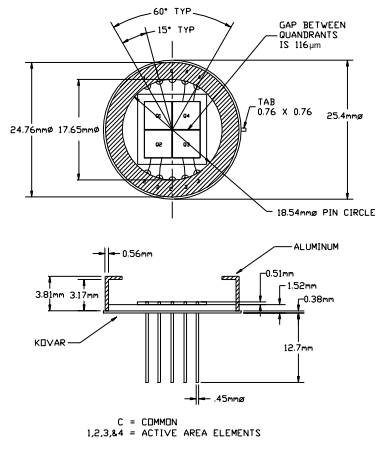
PS1



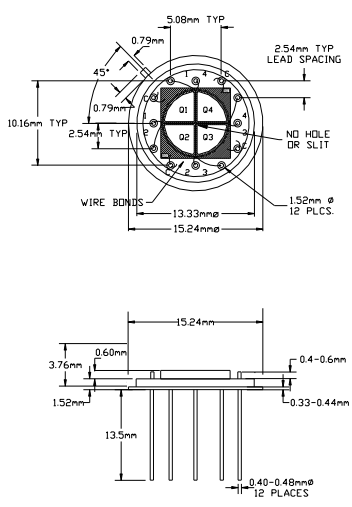
**PS2**



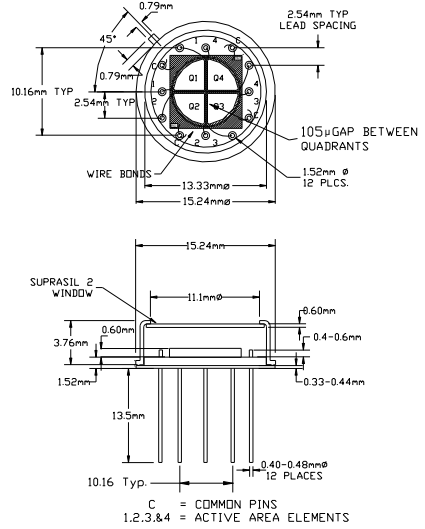
**PS2 with Free Standing Filter**



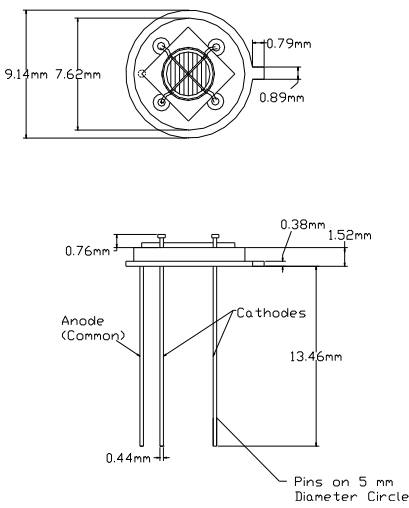
**PS3**



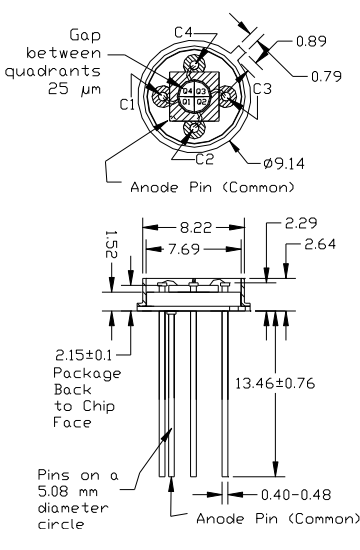
**\*MTO8**



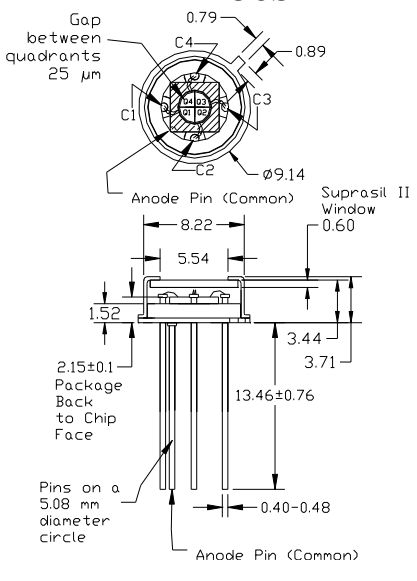
**MTO8S**



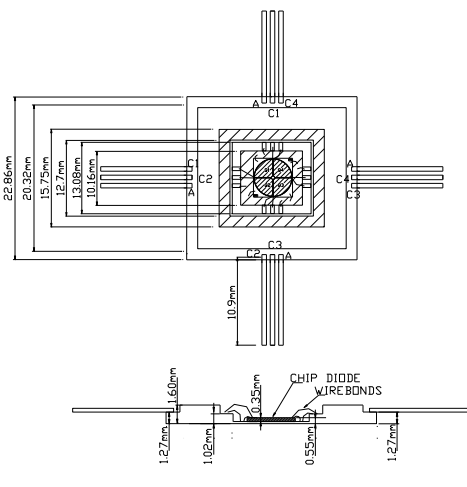
**PS4**



**PS4C**

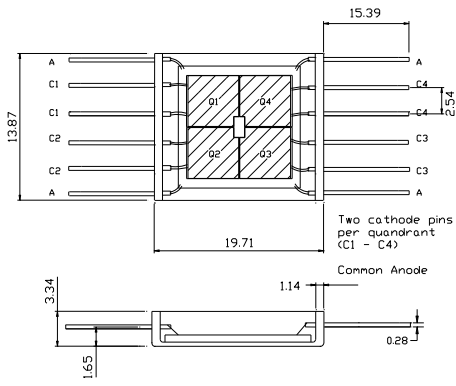


**PS4S**

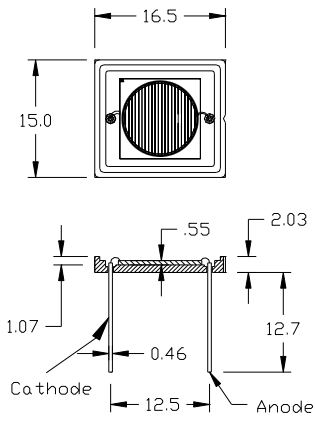


**PS1LP**

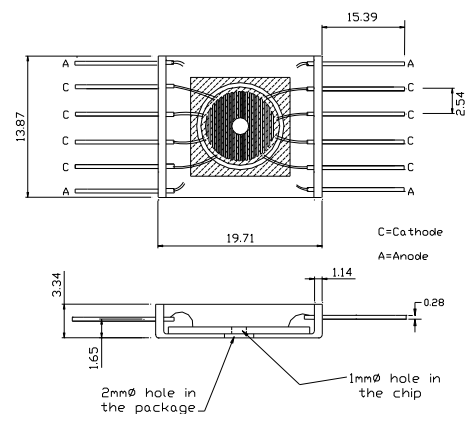
\*The package has opening appropriate with the central opening in the chip



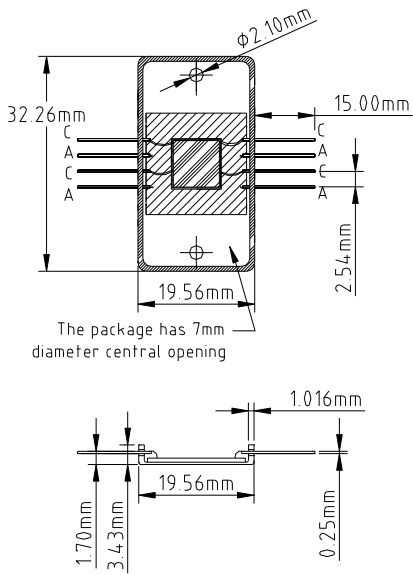
PS2LP



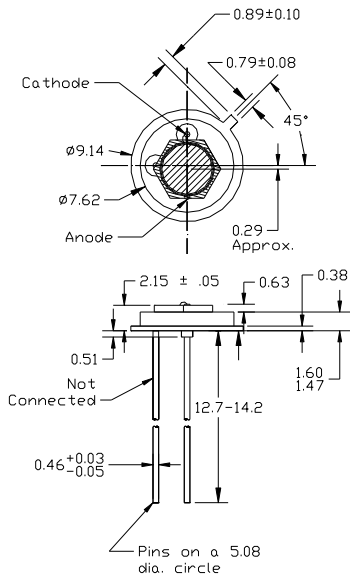
C63



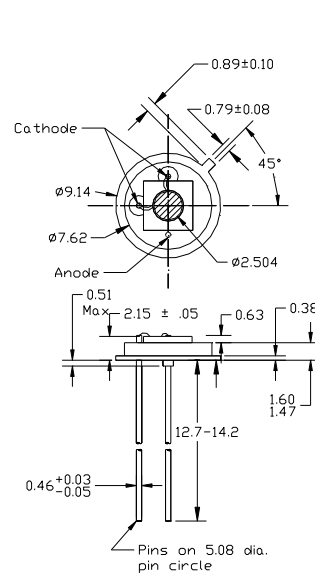
M63LP



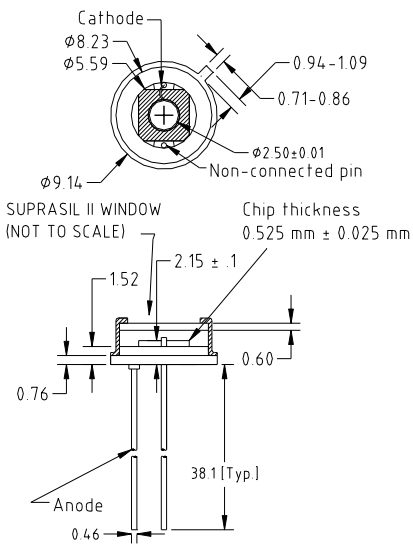
M36



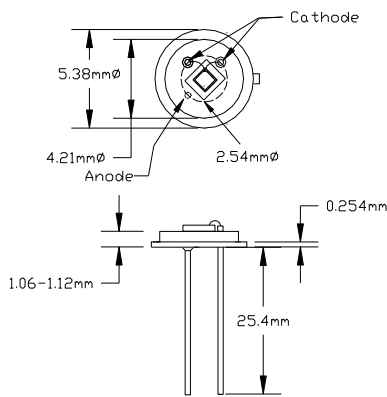
TO5A



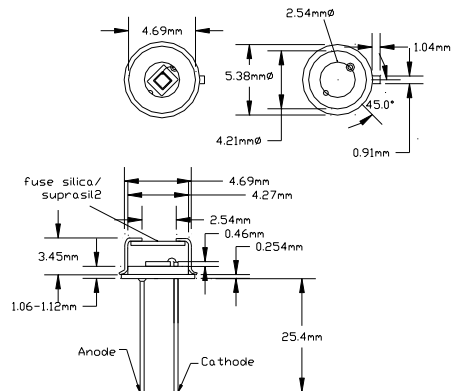
TO5B



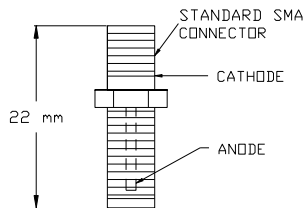
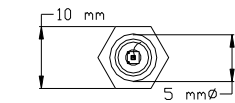
TO5S



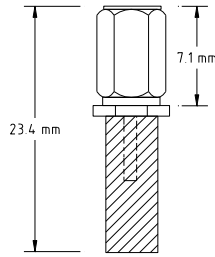
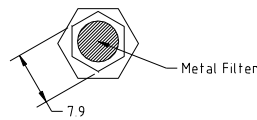
TO46



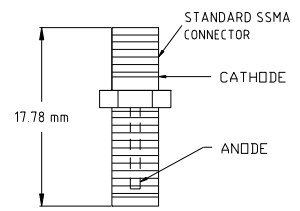
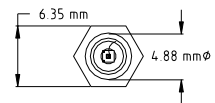
TO46S



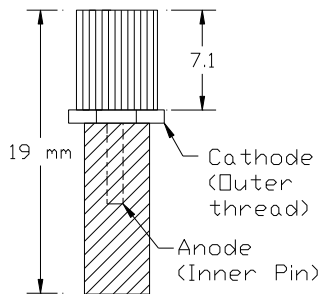
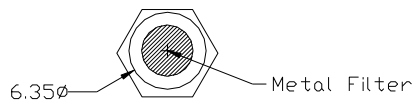
SMA



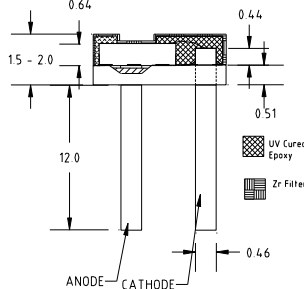
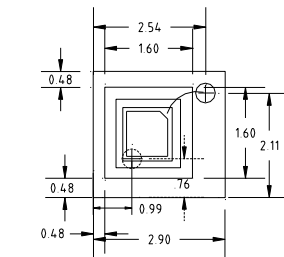
SMA with Free Standing Filter



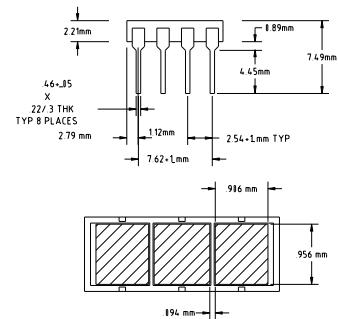
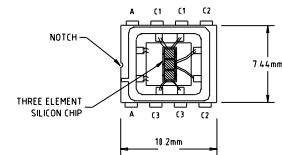
SSMA



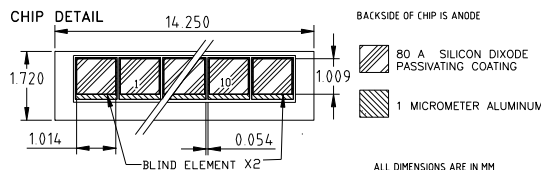
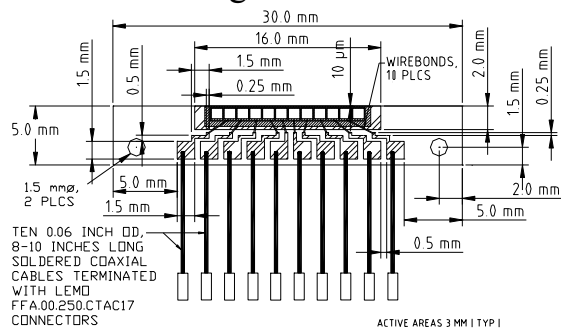
SSMA with Free Standing Filter



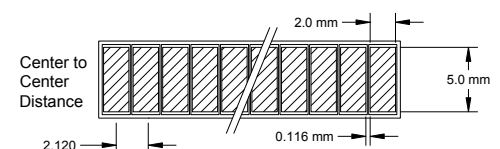
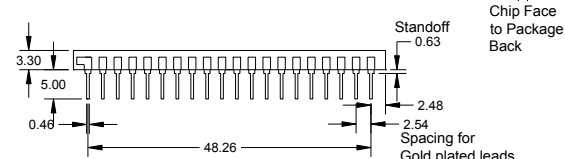
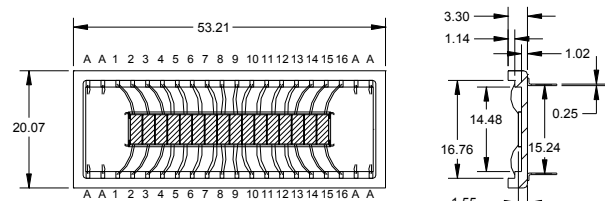
CHS5



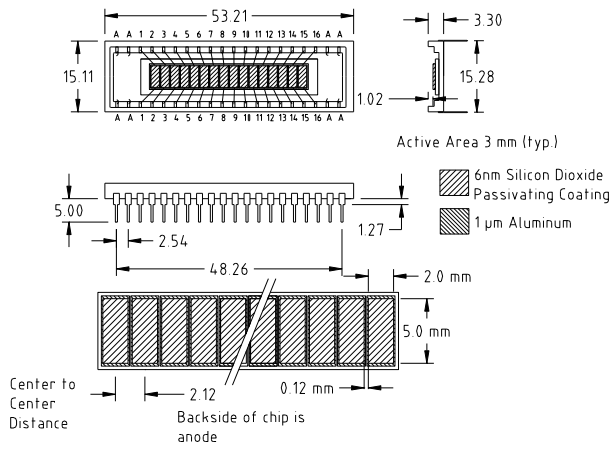
C3EL



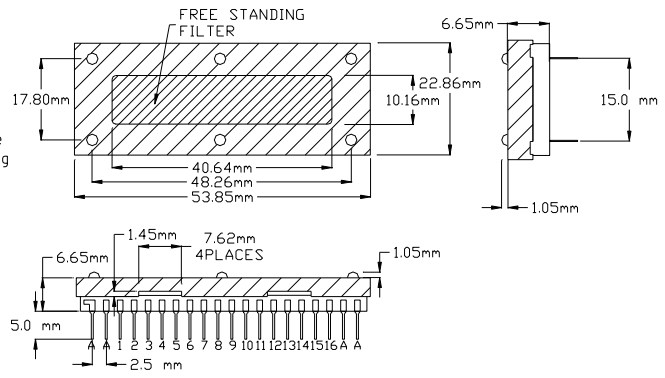
C10EL



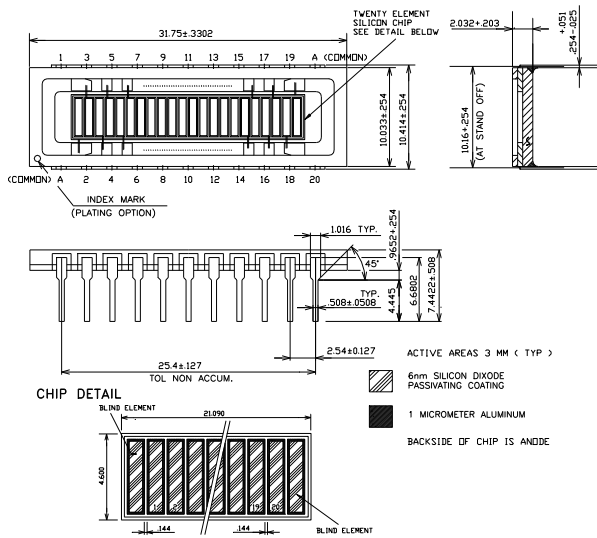
C16ELO



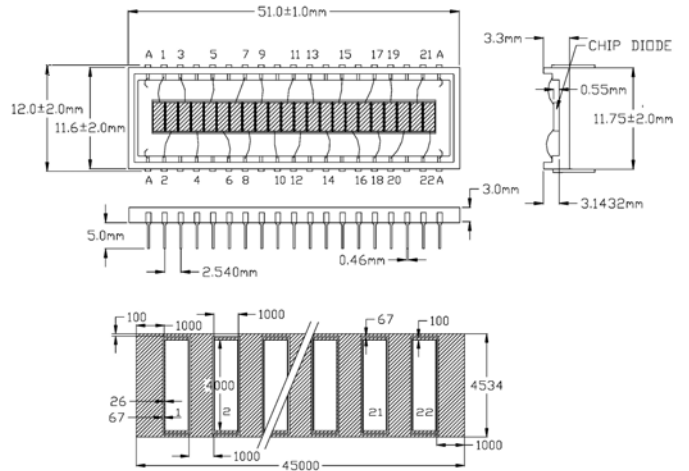
C16EL



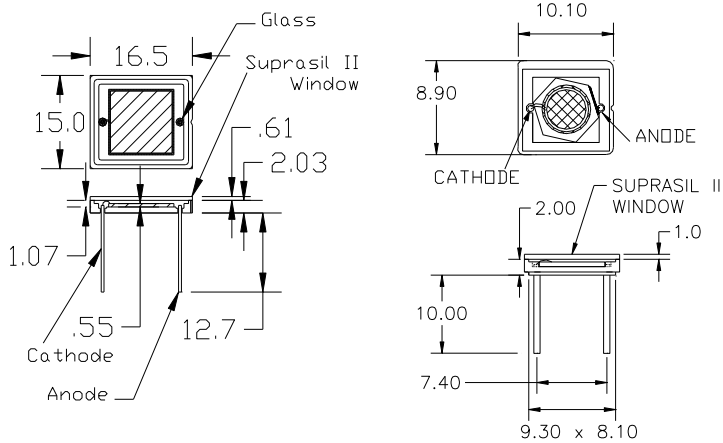
C16ELO with Free Standing Filter



C20EL

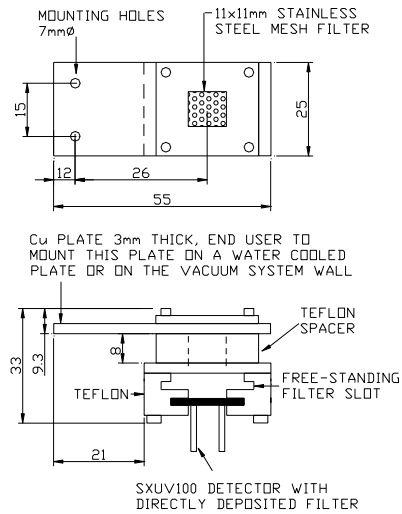


C22EL



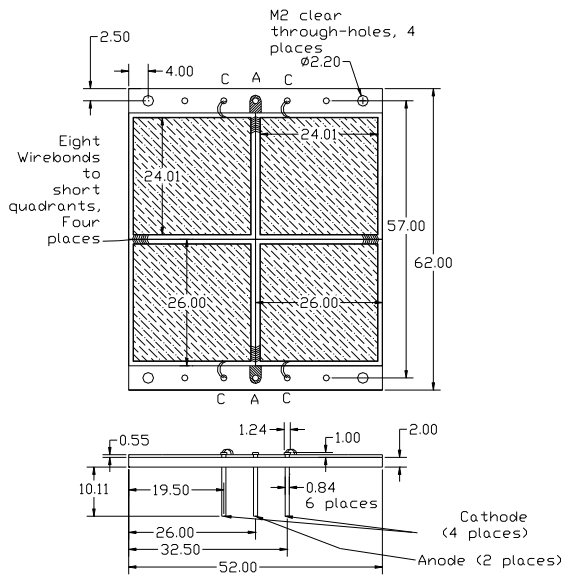
C100S

C20S

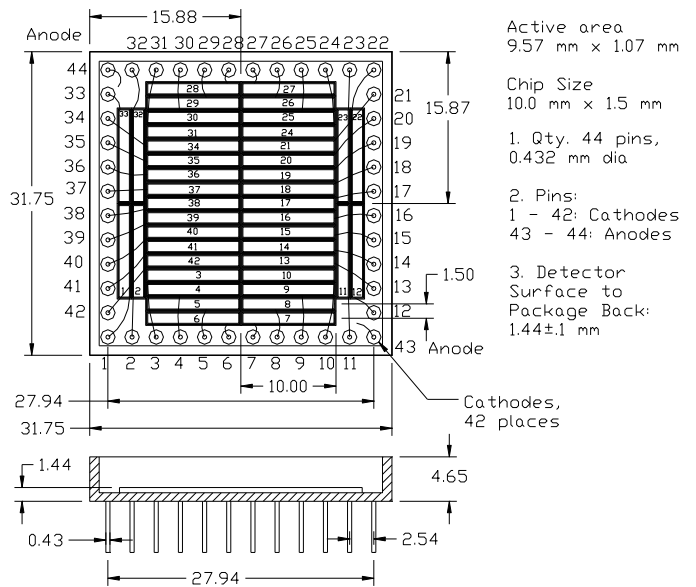


100mj

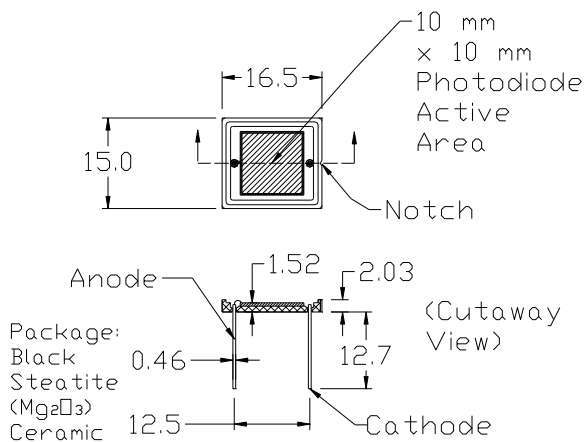




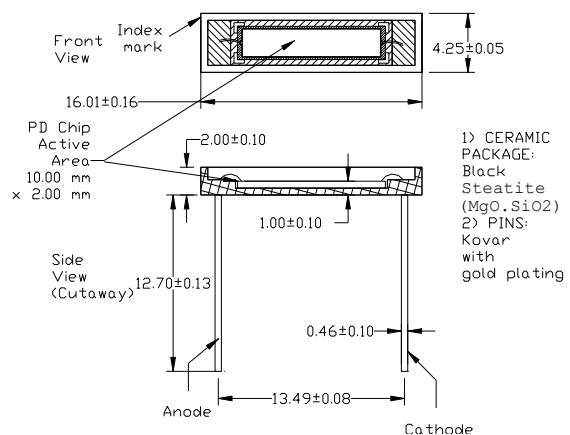
C2300



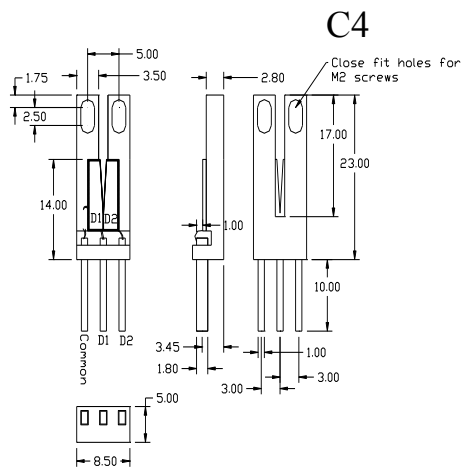
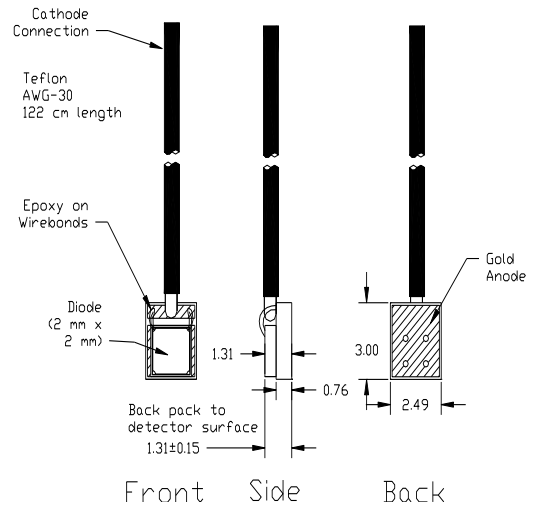
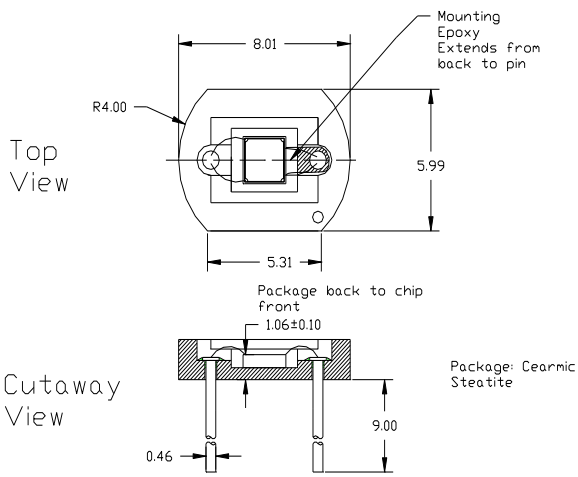
M42EL



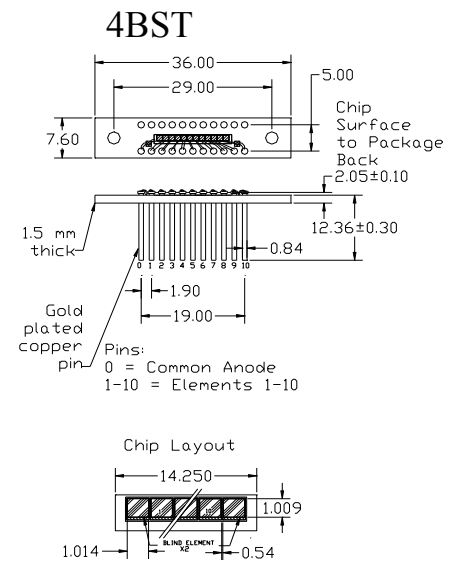
C100PN



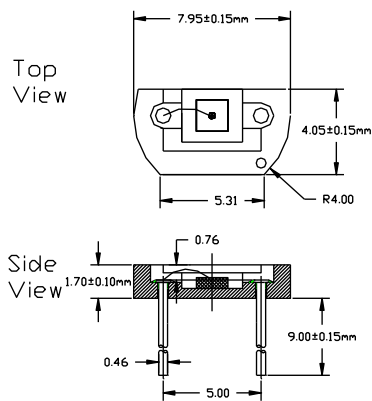
C19



- Qty. 3 pins, copper 1 mm x 1.8 mm x 13 mm  
Pins mounted via epoxy
- Material: Non-magnetic copper alloy  
Coated with silver flash/1 μm gold



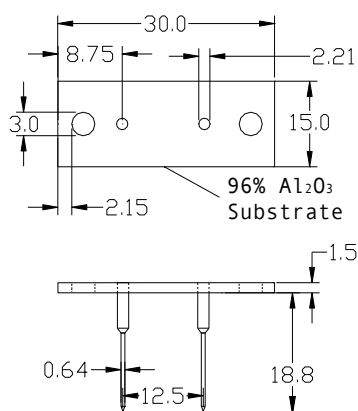
### M39V



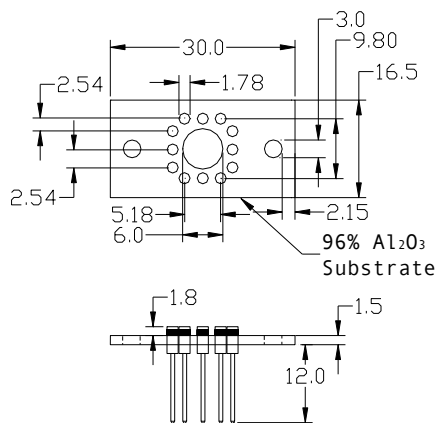
### C6A

### 10ELC

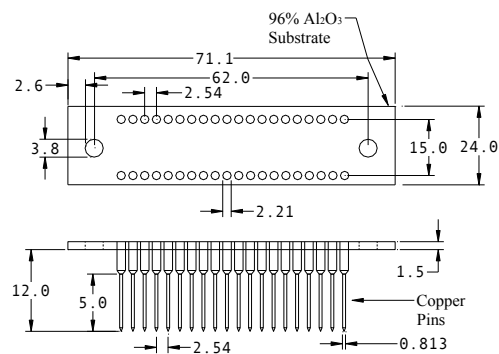
## Ceramic Sockets



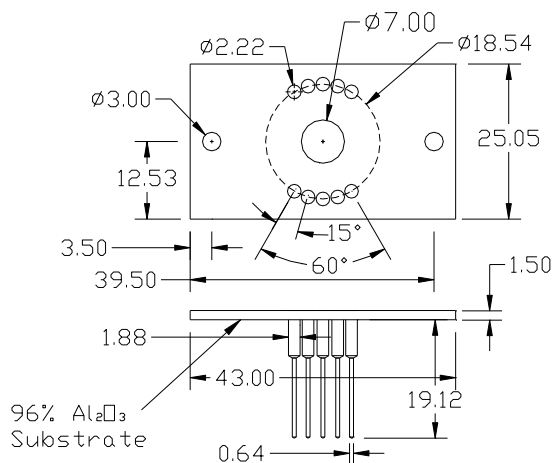
**AXUV100CS**



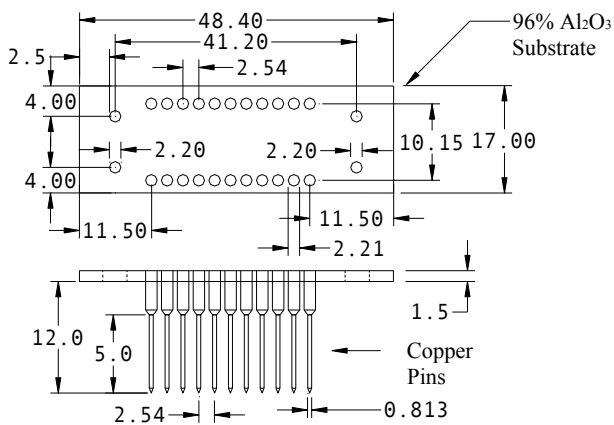
**AXUVPS1ACS**



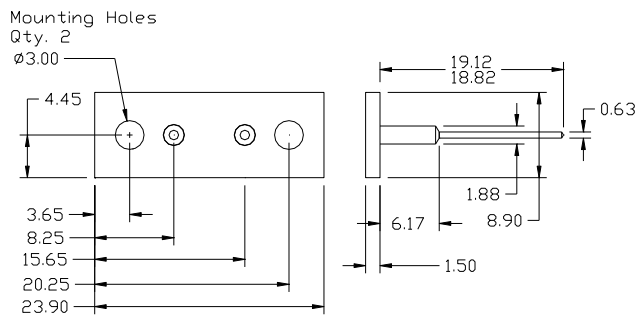
**AXUV16ELCS**



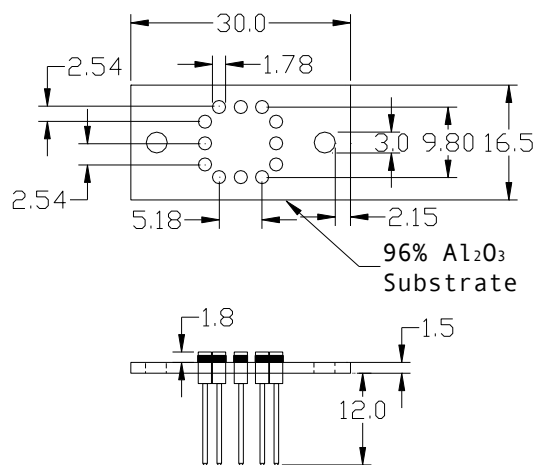
**AXUVPS3CS**



**AXUV20ELCS**

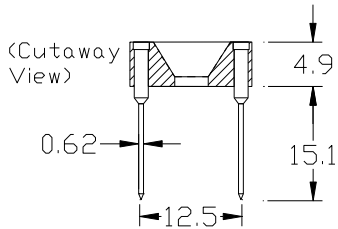
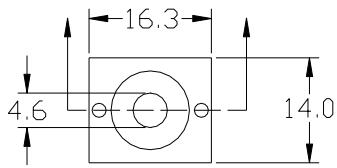


**AXUV20ACS**

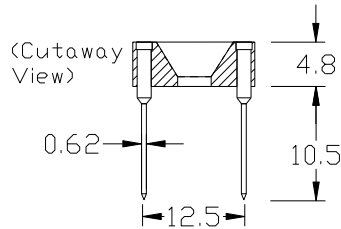
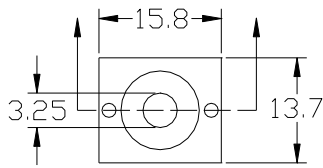


**AXUVPS6CS**

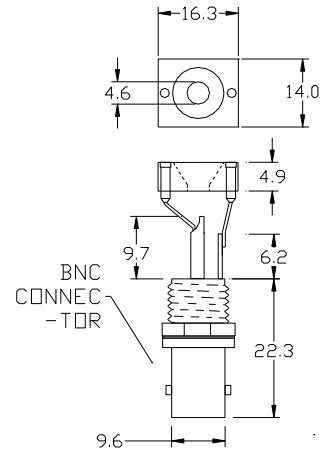
## Teflon Sockets



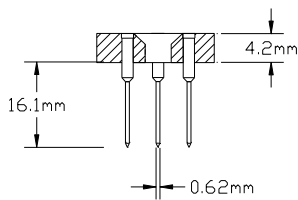
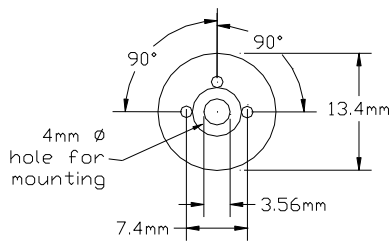
**AXUV100TS**



**AXUV100TSA**

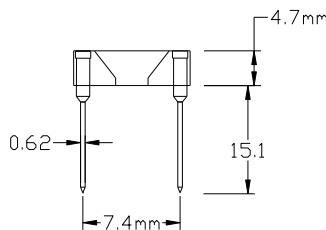
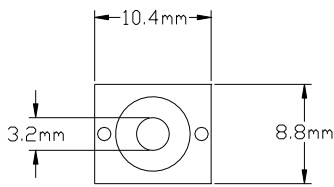


**AXUV100TS/BNC**

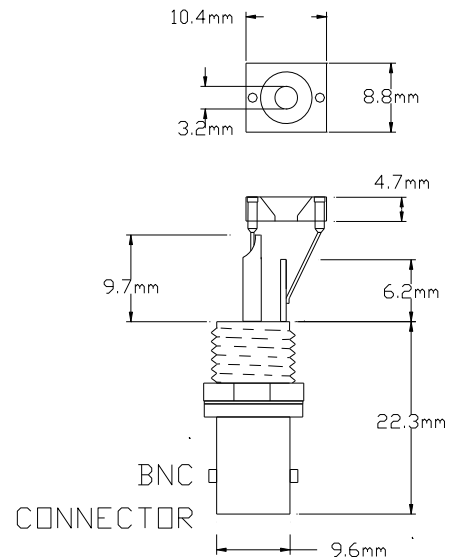


NOTE: MOUNTING HOLE MADE FOR THE 8-32 SCREW SIZE

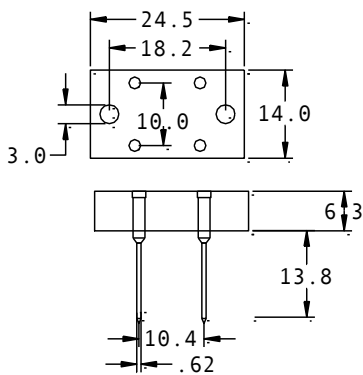
**AXUV20TS**



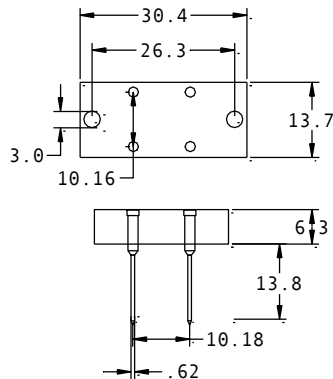
**AXUV20ATS**



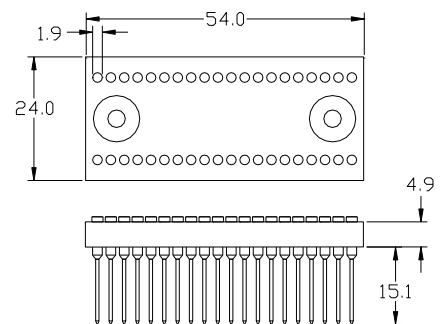
**AXUV20ATS/BNC**



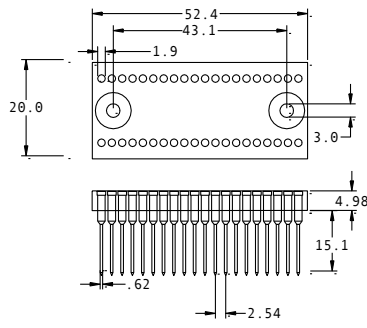
**AXUV20HE1TS**



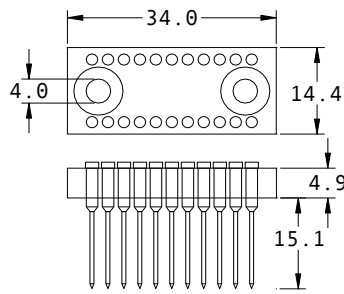
**AXUV96TS**



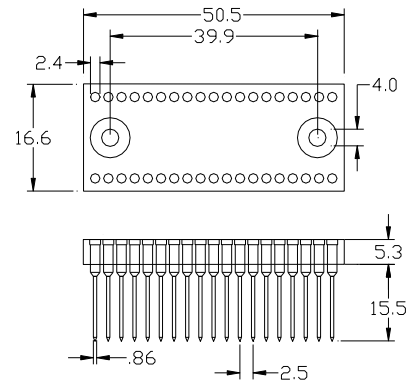
**AXUV16ELOTS**



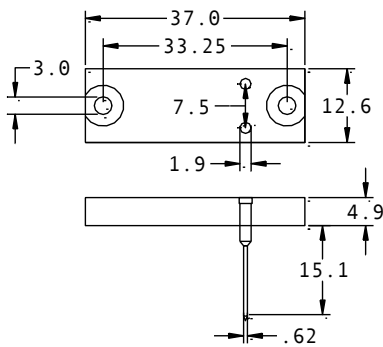
AXUV16ELTS



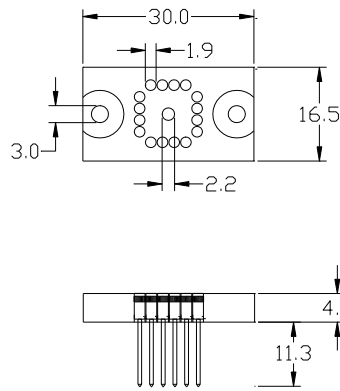
AXUV20ELTS



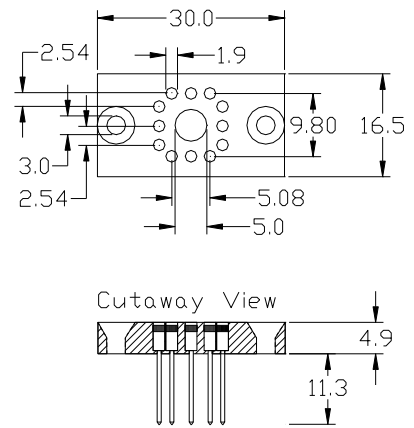
AXUV22ELTS



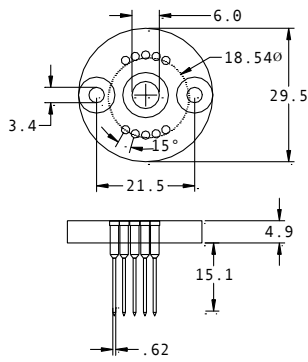
AXUVSP2TS



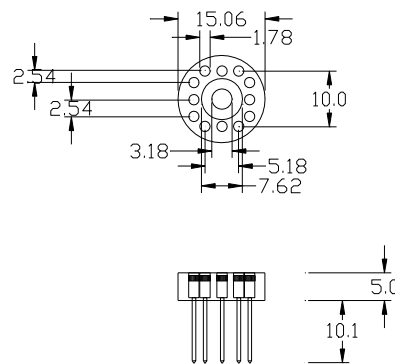
AXUVPS1TS



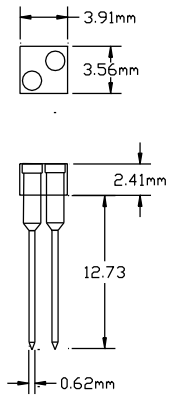
AXUVPS1ATS



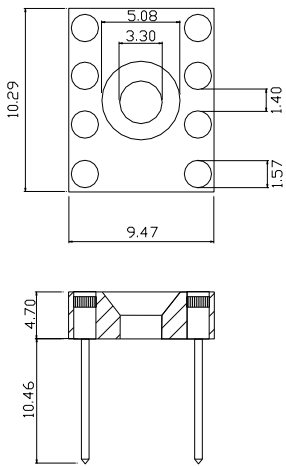
AXUVPS2TS



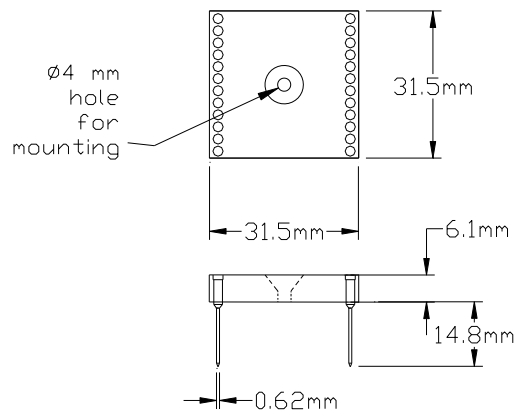
AXUVPS6TS



AXUVHS5FILTER

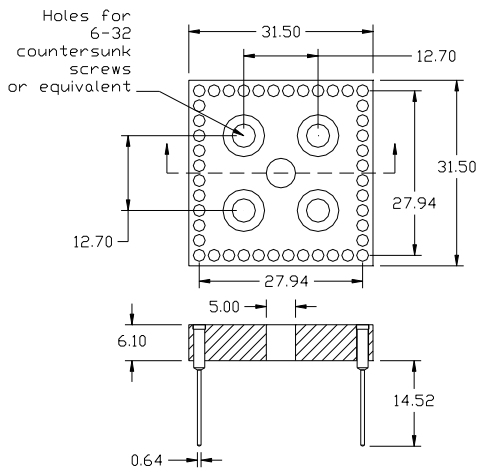


**AXUV3ELATS**

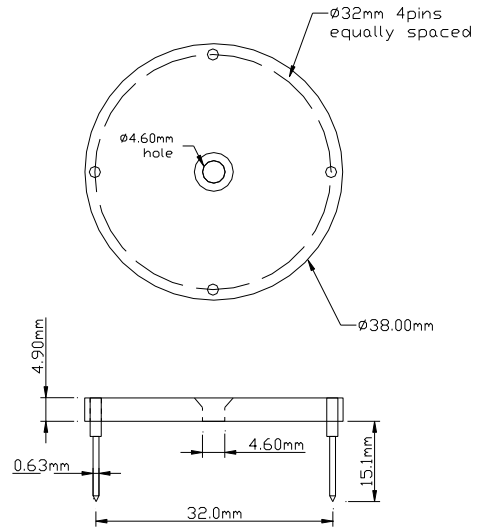


NOTE: MOUNTING HOLE MADE FOR THE 8-32 SCREW SIZE

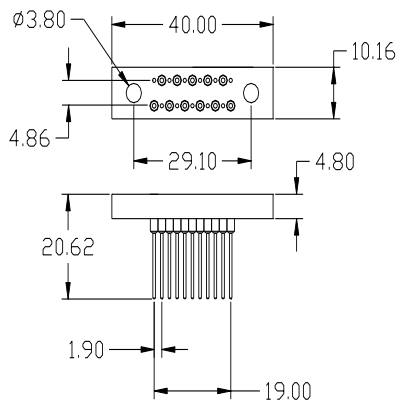
**AXUV576/600MTS**



**AXUVPS8TS**



**AXUV576CTS**



Socket material teflon  
Note all measurements are in mm

**AXUV10ELCTS**